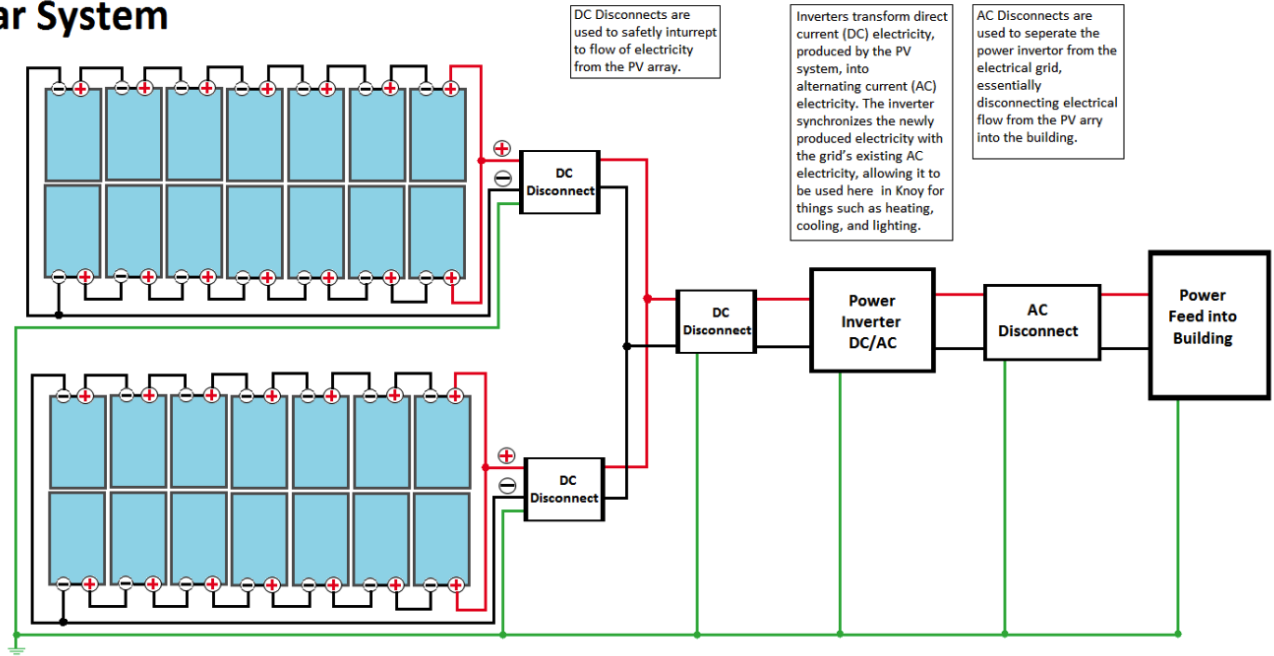


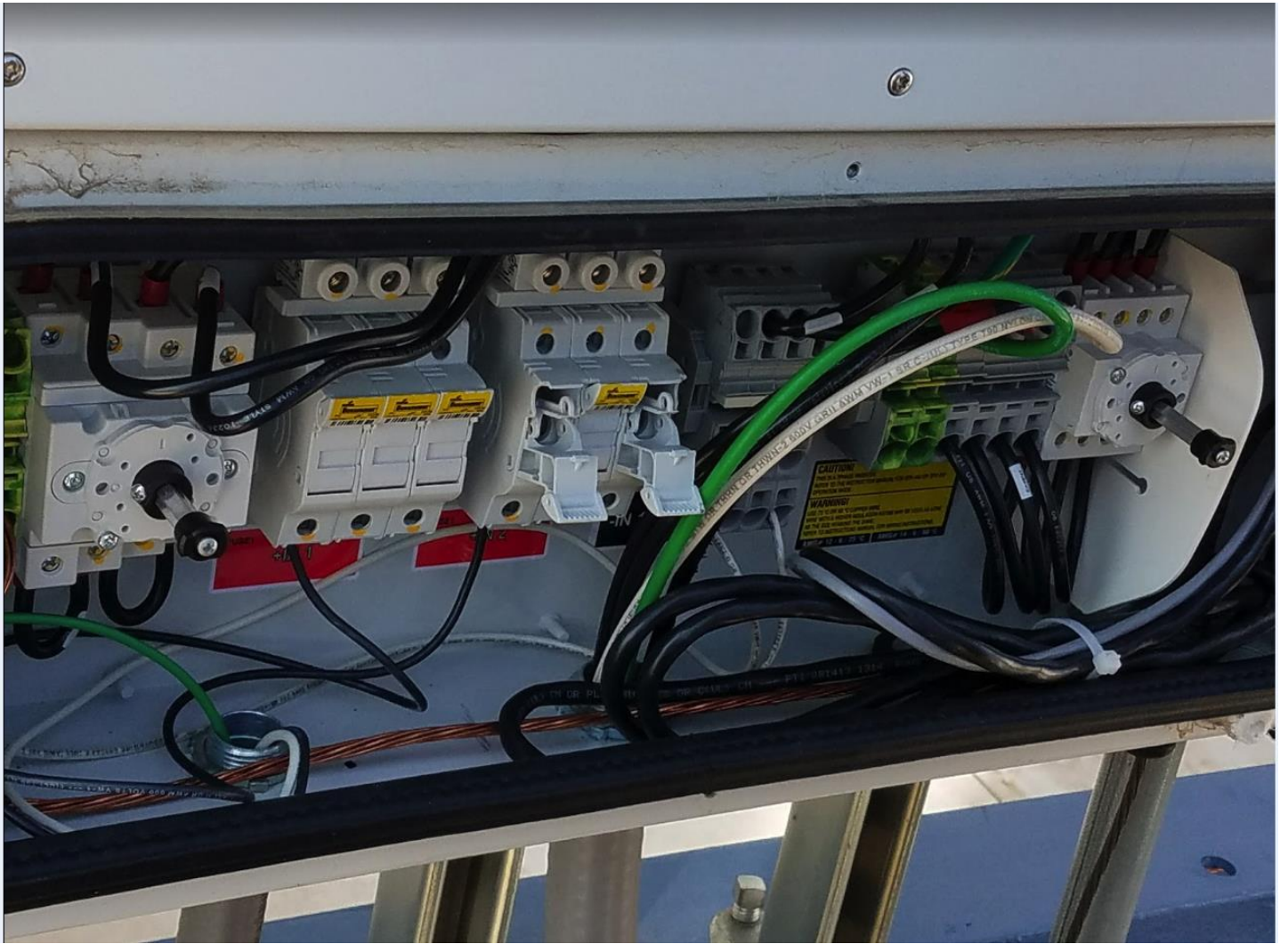
# New Knoy rooftop solar array generates more power, learning opportunities and research

<https://polytechnic.purdue.edu/newsroom/new-knoy-rooftop-solar-array-generates-more-power-learning-opportunities-and-research>

## PV Solar System







AURORA

POWER 800

OPERATING CURRENT 15A  
SHORT CIRCUIT CURRENT 20A  
OPERATING VOLTAGE 255V  
MAX. SYSTEM VOLTAGE 315V

**WARNING**  
ELECTRIC SHOCK HAZARD  
IF GROUNDED FAULT IS  
INDICATED NORMALLY  
GROUNDED CONDUCTORS  
MAY BE UNGROUNDED AND  
ENERGIZED

INTERACTIVE PHOTOVOLTAIC SOURCE  
NOMINAL VOLTAGE 300V  
MAXIMUM CURRENT 15A

DC  
DISCONNECT



AC  
DISCONNECT



**WARNING**  
INVERTER OUTPUT CONNECTION  
DO NOT RELOCATE  
THIS OVERCURRENT DEVICE

AURORA  
Switch & Wiring Box





**PV Solar System Efficiency Summer 2017:**

Date	Excel Time	AC Watts	KNSSSP	% Efficient
7/8/2017 03:00:00 PM EDT	42924.63	3133	905.2	15
7/8/2017 03:30:00 PM EDT	42924.65	2412	410	26
7/8/2017 04:00:00 PM EDT	42924.67	2804	813.3	15
7/8/2017 04:30:00 PM EDT	42924.69	2436	672.3	16
7/8/2017 07:00:00 PM EDT	42924.79	202	41.6	21
7/8/2017 07:30:00 PM EDT	42924.81	194	66.4	13
7/8/2017 08:00:00 PM EDT	42924.83	127	29	19
7/8/2017 08:30:00 PM EDT	42924.85	49	17.5	12
7/8/2017 09:00:00 PM EDT	42924.88	4	1.6	12
7/9/2017 07:00:00 AM EDT	42925.29	29	15.6	8
7/9/2017 07:30:00 AM EDT	42925.31	80	26.8	13
7/9/2017 08:00:00 AM EDT	42925.33	133	38.8	15
7/9/2017 08:30:00 AM EDT	42925.35	299	95.9	14
7/9/2017 09:00:00 AM EDT	42925.38	690	185.7	16
7/9/2017 09:30:00 AM EDT	42925.4	1131	298	16
7/9/2017 10:00:00 AM EDT	42925.42	1517	392.7	17
7/9/2017 10:30:00 AM EDT	42925.44	1860	486.1	17
7/9/2017 11:00:00 AM EDT	42925.46	2158	585.3	16

**Data on the array is:**

<https://easyview.auroravision.net/easyview/index.html?entityId=1986490>